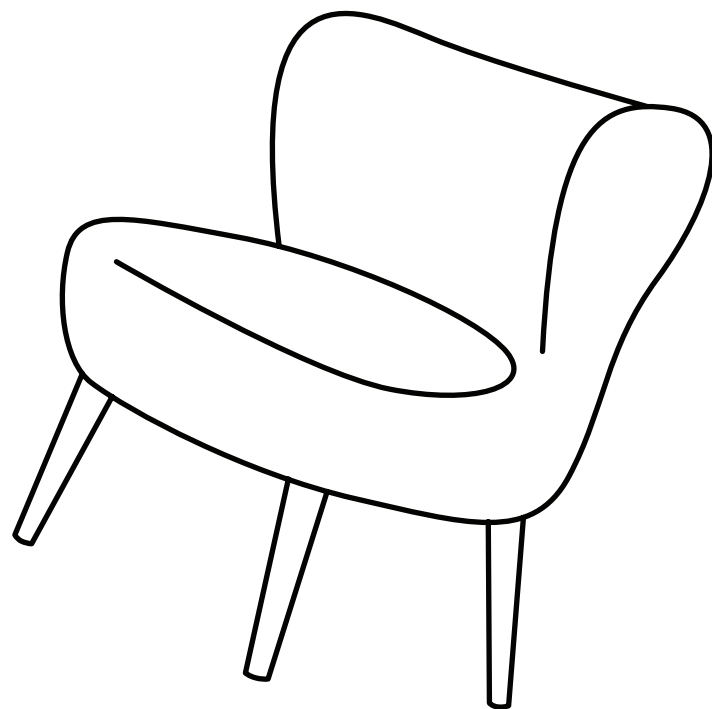
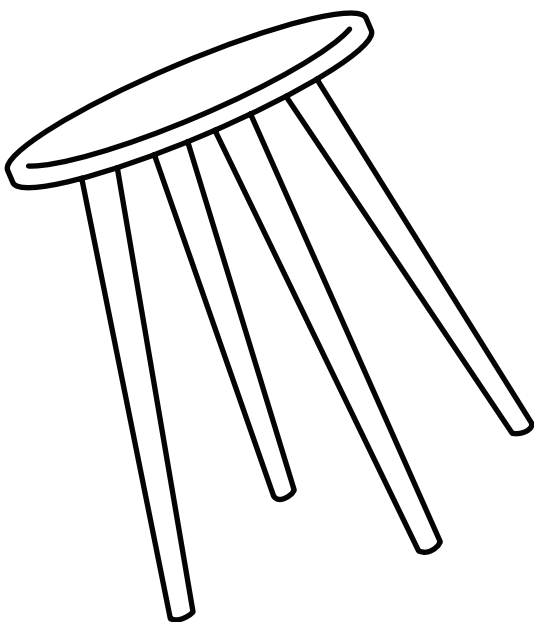


Hello, I've arrived!

Now that I'm here you are only one
flat-pack away from transforming
your home.



Mocka.

Thank you for supporting us.

We believe design belongs to everyone. From materials and processes to safety testing, production and delivery, we are passionate and committed to bringing you the best possible product so you can create beautifully functional spaces to feel comfortably you.

Here are a few assembly tips before you get started:



Make Time

The first step to all seamless assembly is taking a moment to carefully read through the instructions—you are already on your way to creating a beautifully functional space!



Set The Mood

Put on your favourite playlist, order that pizza and pour yourself a drink to get in the mood!



Tool Check

Layout the instructions, screws and panels to check you have everything you need. A blanket or soft floor rug will help protect your new favourite item from scratches and a drill will speed up the assembly too!



Room Reveal

You did it! Take a step back and enjoy the moment. Don't forget to recycle any packaging and share a pic of your room reveal—we love seeing how you transform your home! **Tag us @mockaaustralia/@mockaanz**

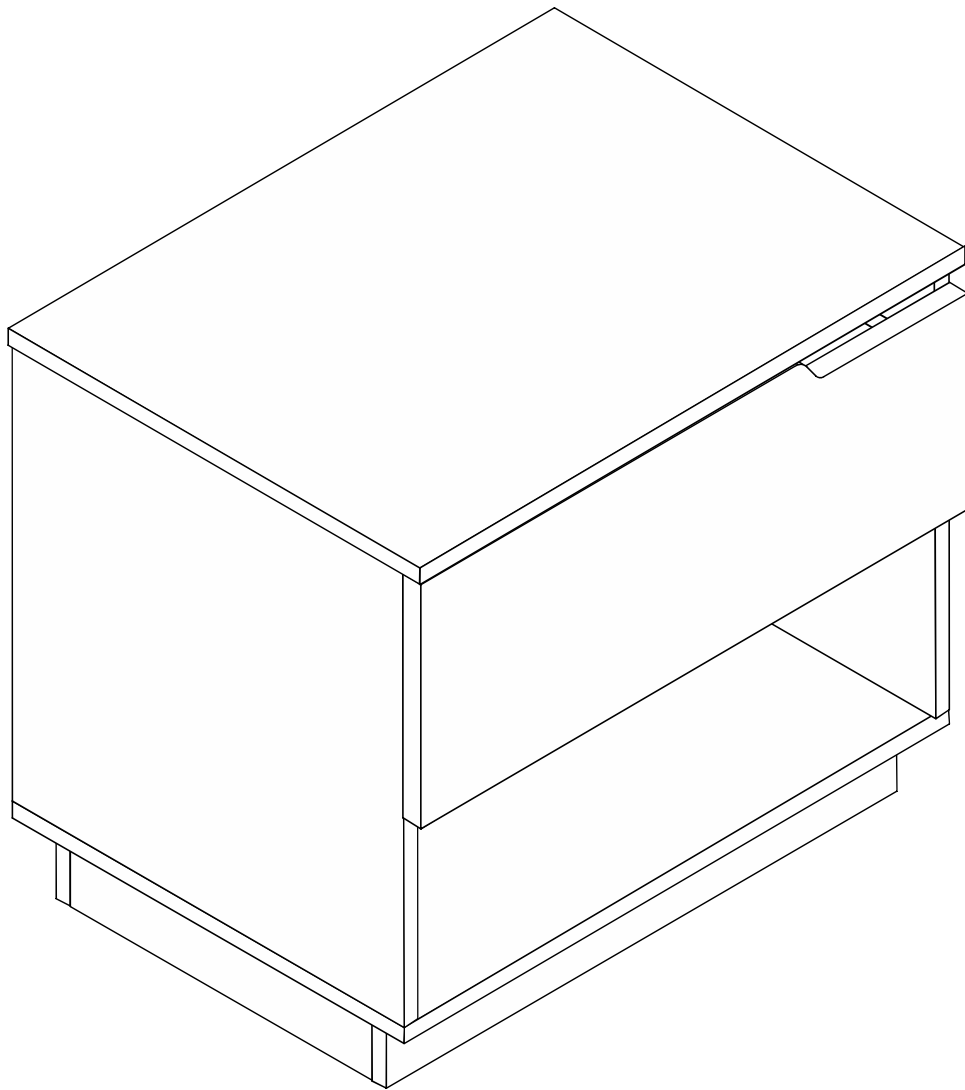
Happy flat-packing!

The Mokka Team

Zack

Bedside Table

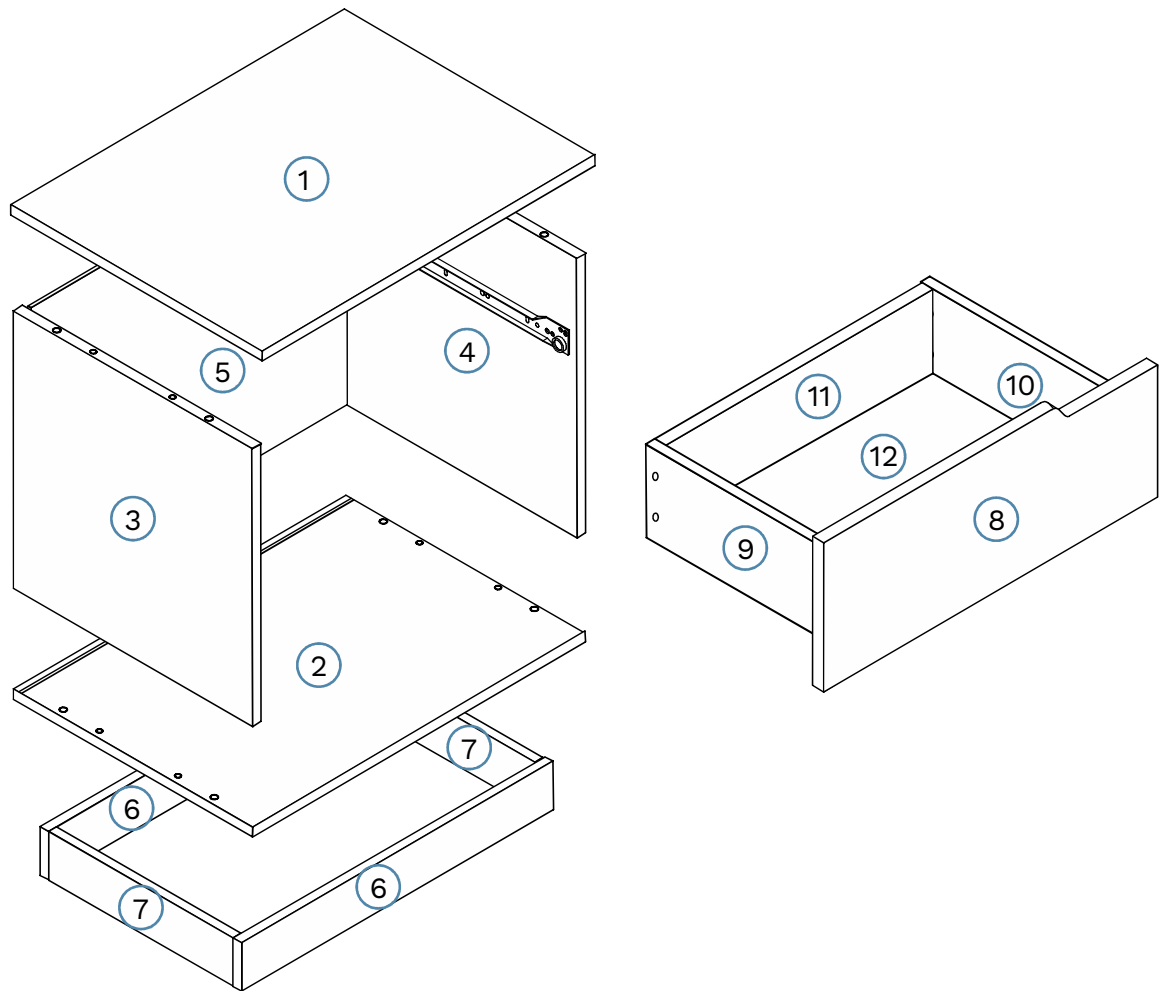
Thank you for your purchase. Please follow the instructions for correct assembly. While we took great effort to ensure these assembly instructions were correct at the time of printing, sometimes updates are required post production. For the most up to date versions please refer to the product page on our website. mocka.com.au/mocka.co.nz



Zack

Bedside Table

Panel Layout



Partlist

①	Top panel	x1	⑦	Base Side Panel	x2
②	Bottom Panel	x1	⑧	Drawer Front Panel	x1
③	Left Side Panel	x1	⑨	Drawer Side Panel	x1
④	Right Side Panel	x1	⑩	Drawer Side Panel	x1
⑤	Back Panel	x1	⑪	Drawer Back Panel	x1
⑥	Base Panel	x2	⑫	Drawer Bottom Panel	x1

Zack

Bedside Table

A

bolt
x20

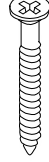
B

nut
x20

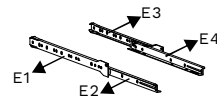
C

dowel
x8

D

50mm
screw x4

E

slide rail
x1

F

14mm
screw x12

G

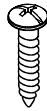
18mm
screw x6

H



x6

I

25mm
screw x2

J

Wall plug
x2

K

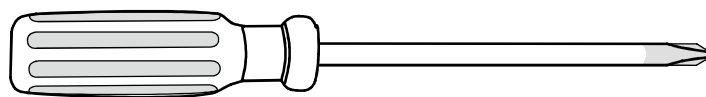
safety strap
x2

L

PVC sticker
x20

HARDWARE SUPPLIED

WARNING: Any furniture that is not anchored to a wall has the potential to tip over in certain circumstances, i.e. if a child attempts to climb up on the furniture or in the event of an earthquake. Accordingly, we recommend that all furniture is anchored to a wall. We supply a free safety wall anchor with all furniture sold and we recommend these are used to prevent your product tipping. The fixing device provided should fit most wall types, but please note that different wall materials may require different fixing devices from those supplied.



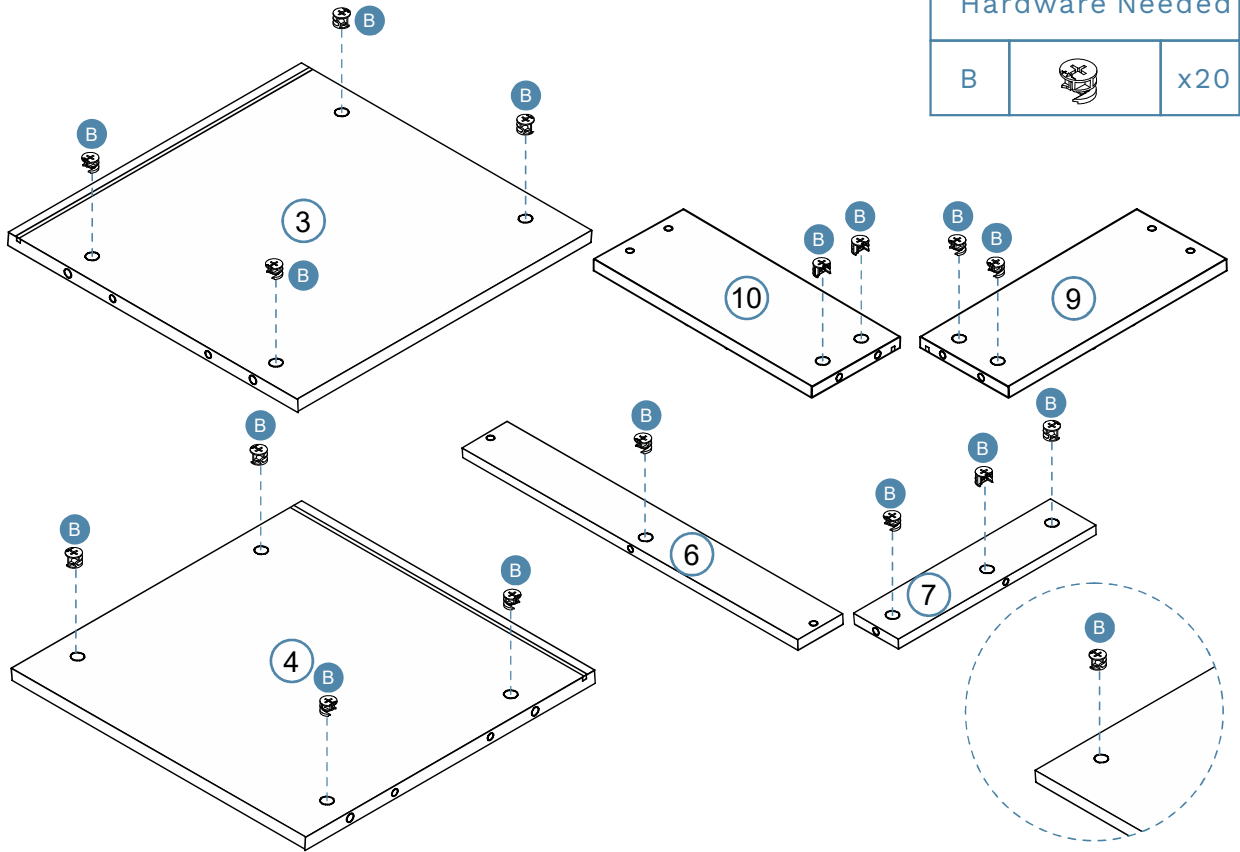
Phillips screwdrivers required.

For quicker assembly, we recommend the use of a power drill on a low-speed setting.

Zack

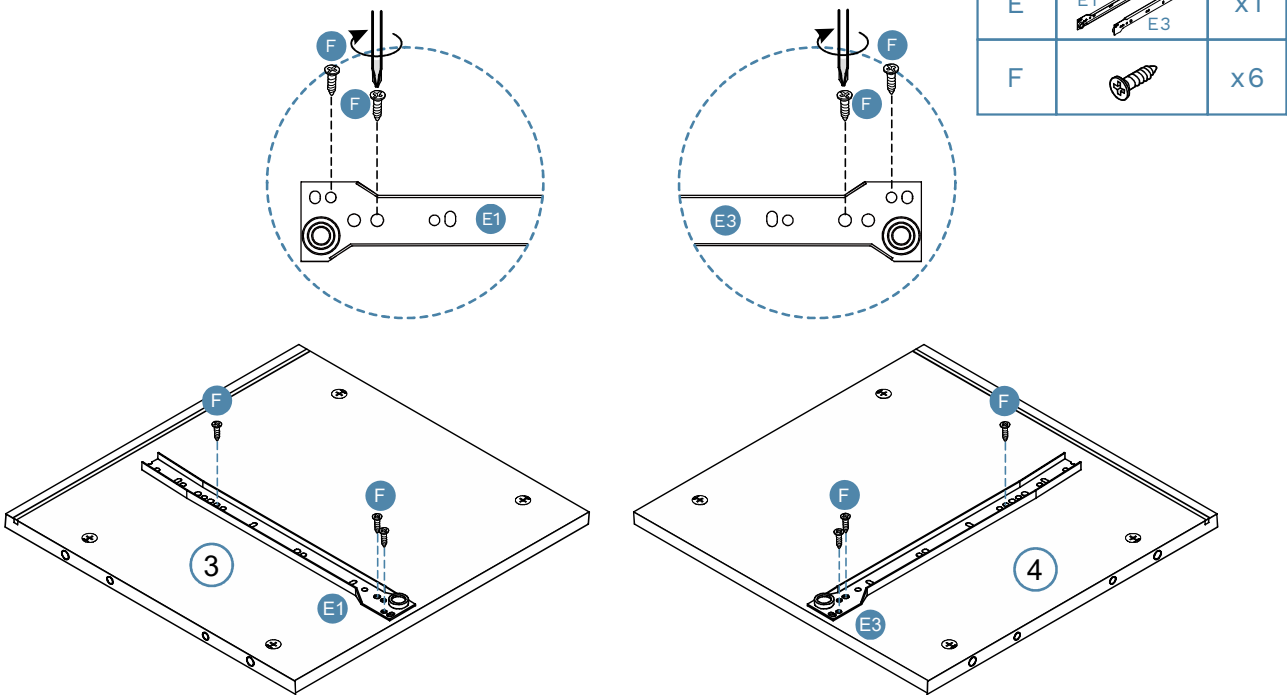
Bedside Table



1



Hardware Needed		
B		x20

2



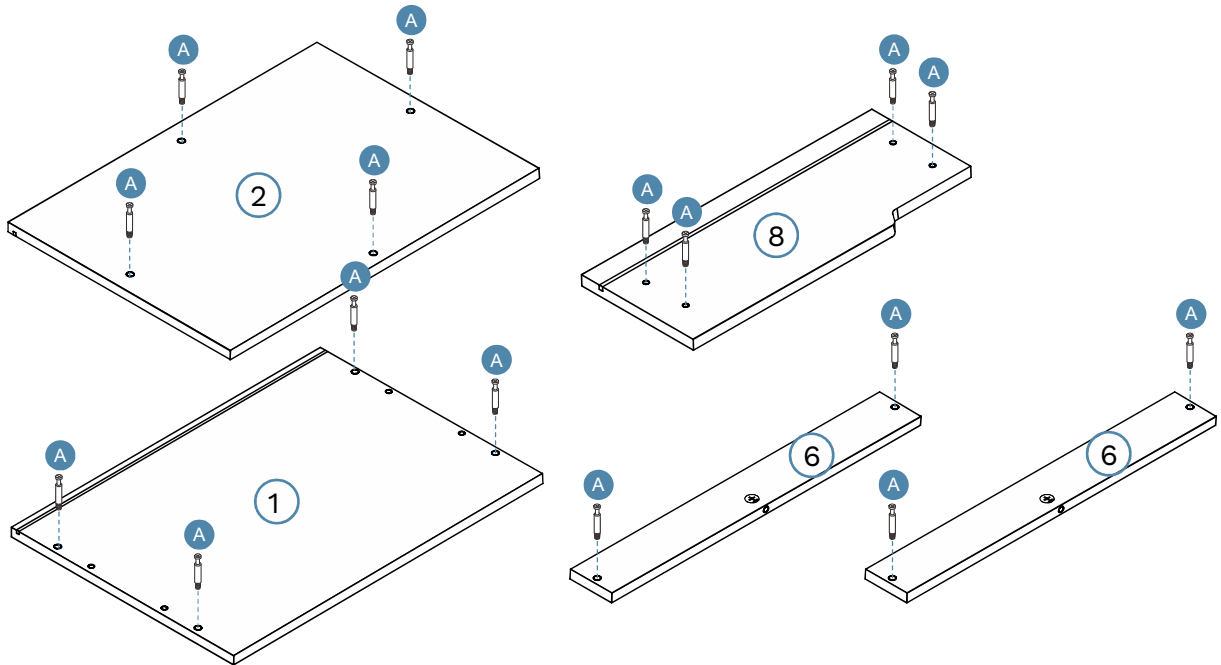
Hardware Needed		
E		x1
F		x6

Zack

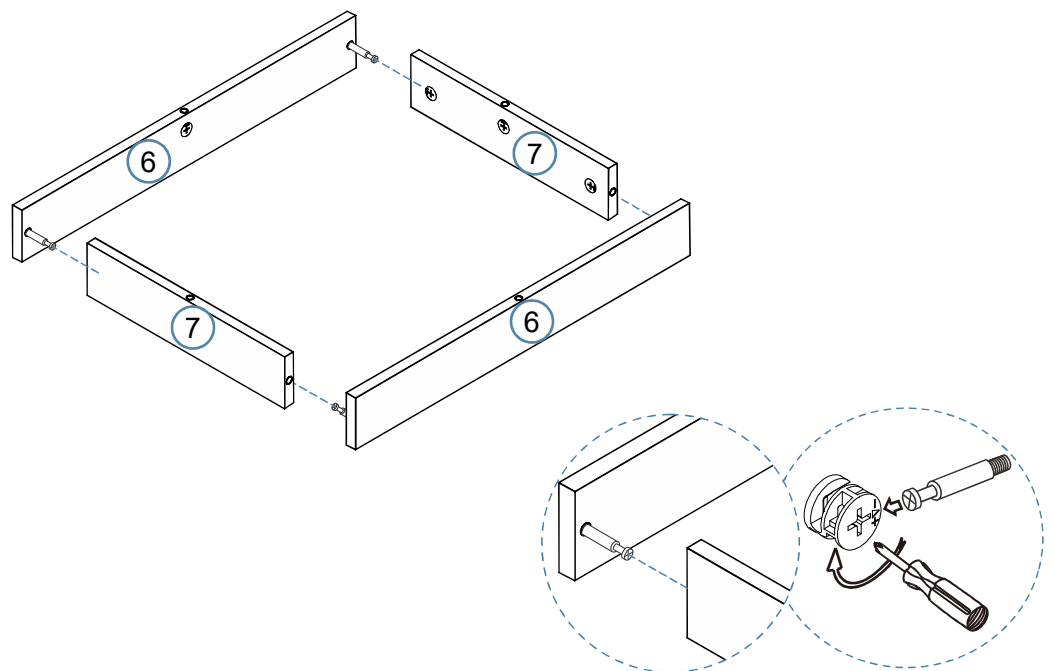
Bedside Table

3

Hardware Needed		
A		x16



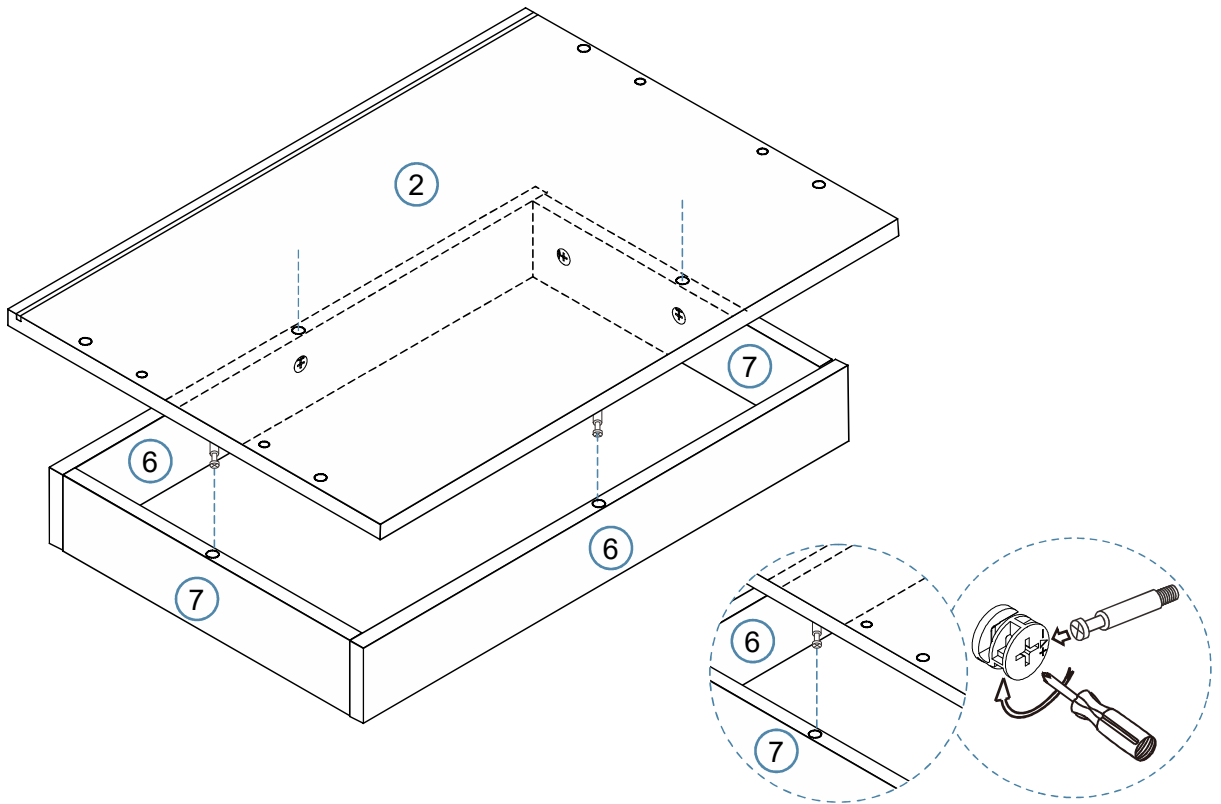
4



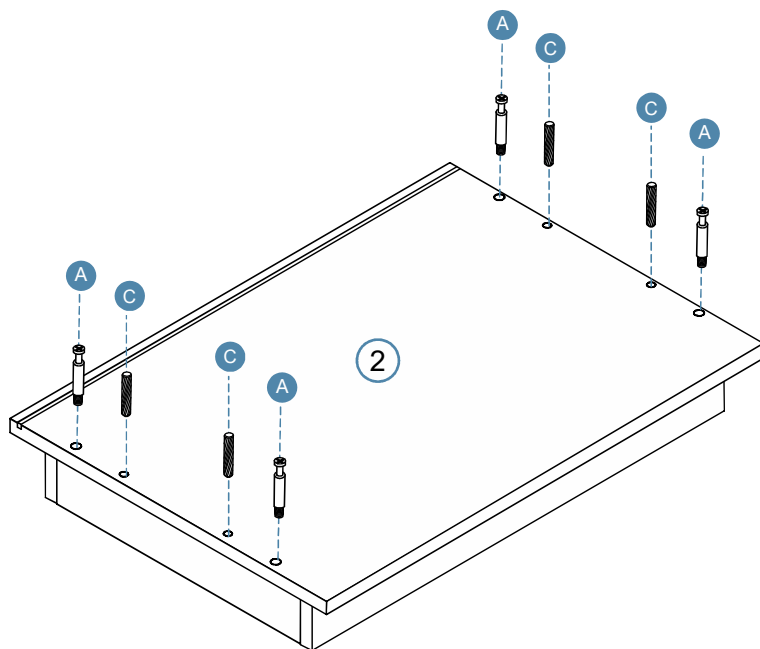
Zack



Bedside Table

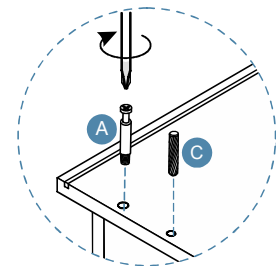
5



6



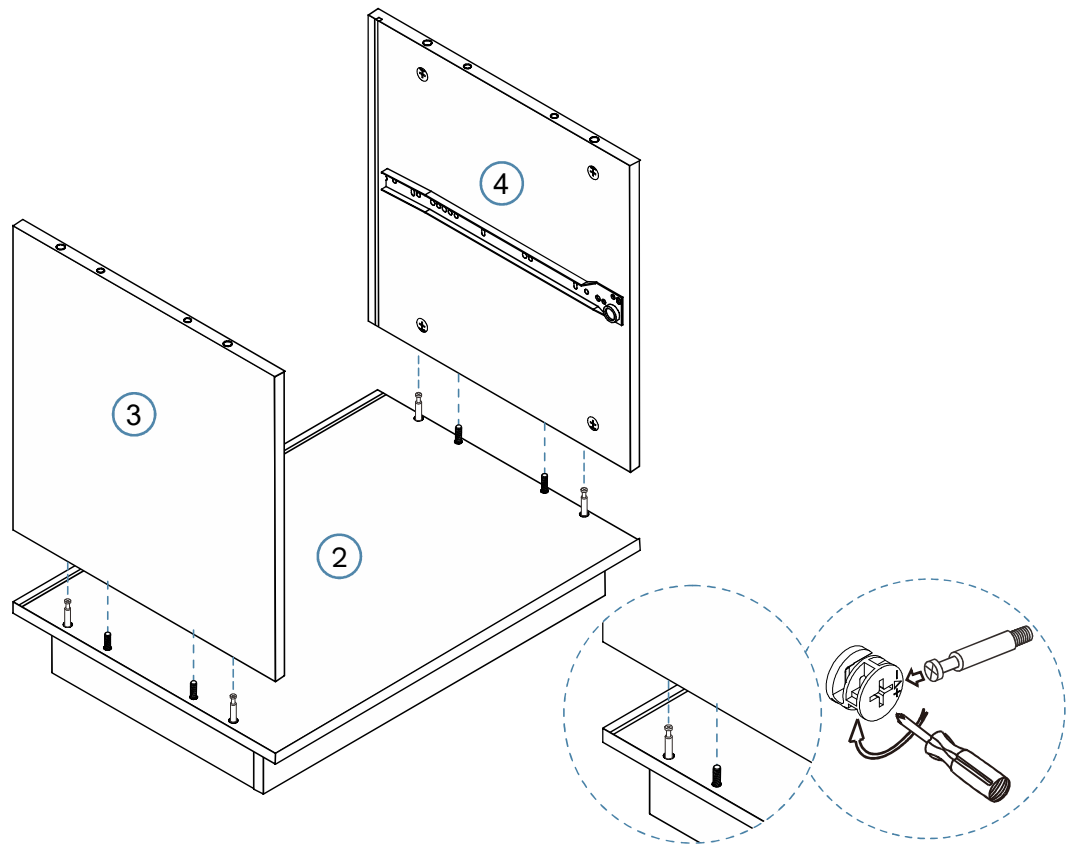
Hardware Needed		
A		x4
C		x4



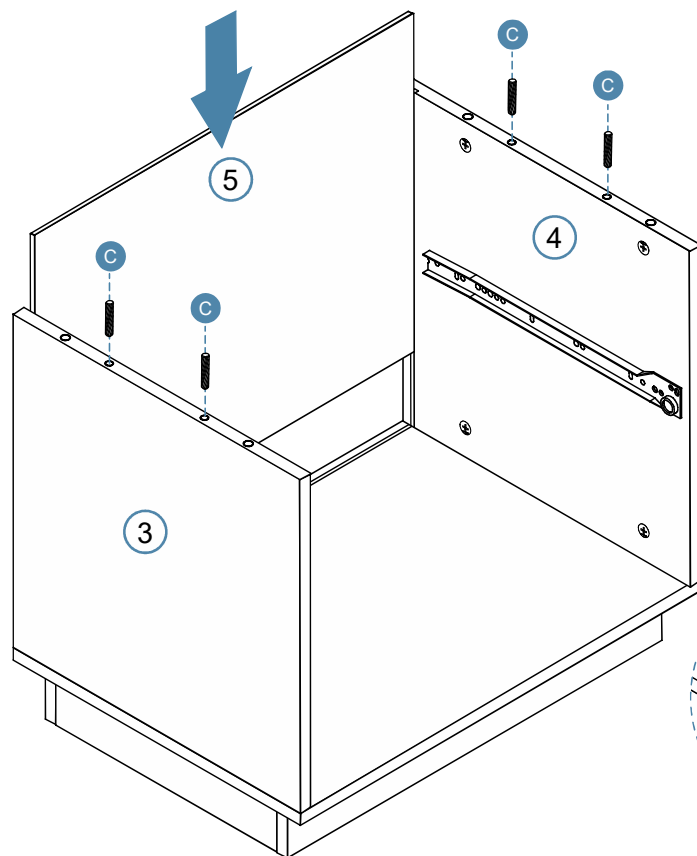
Zack

Bedside Table

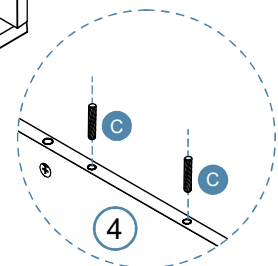
7



8



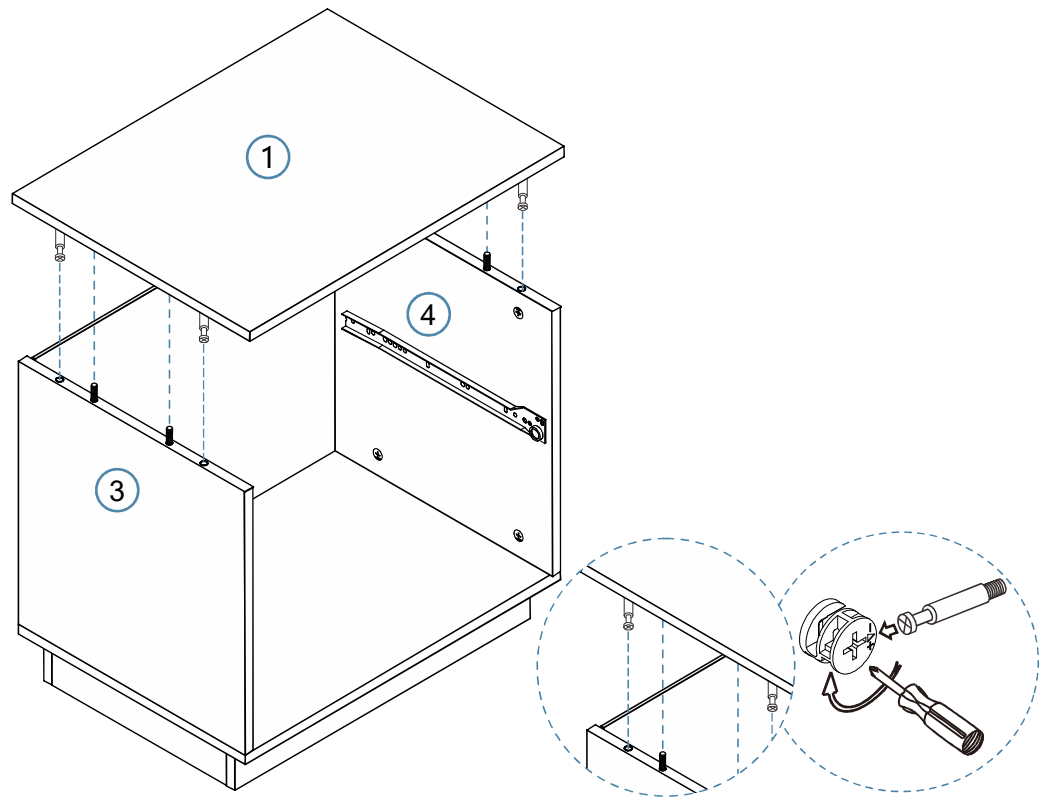
Hardware Needed		
C		x4



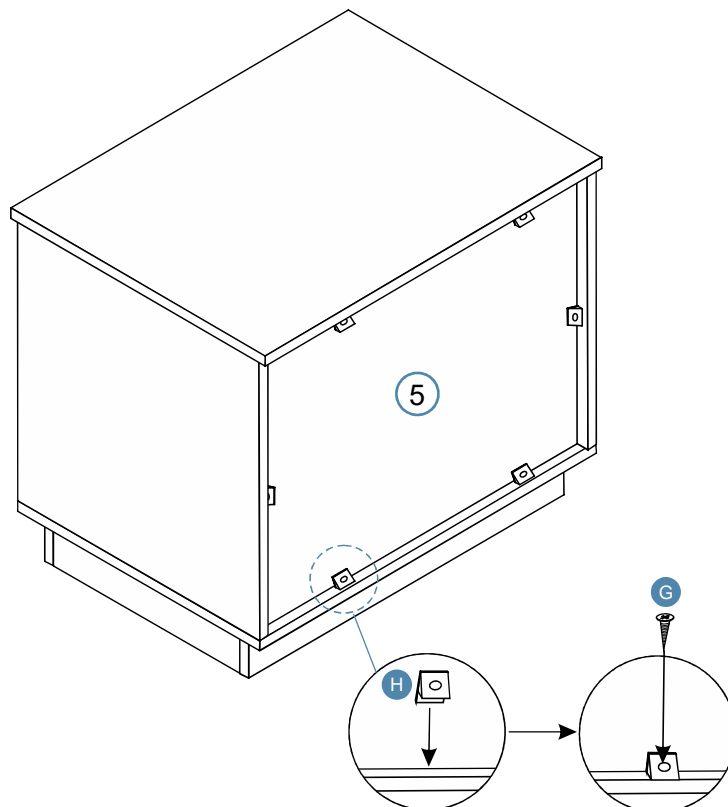
Zack



Bedside Table

9



10

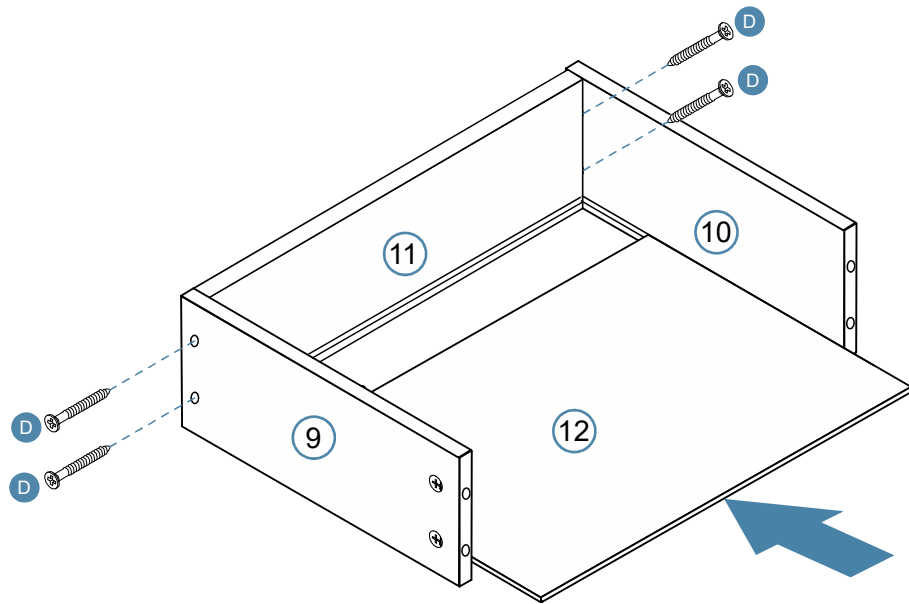


Hardware Needed		
G		x6
H		x6

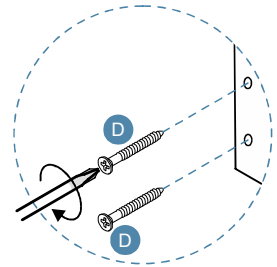
Zack

Bedside Table

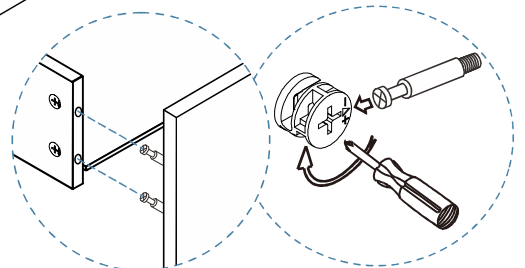
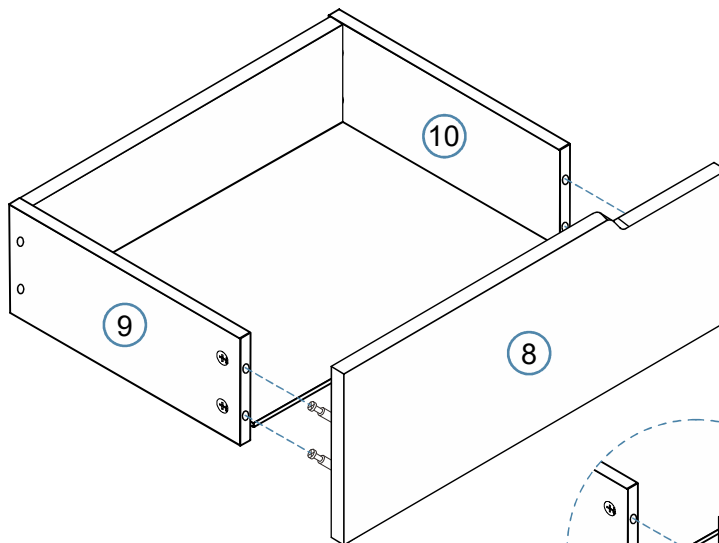
11



Hardware Needed		
D		x4





12

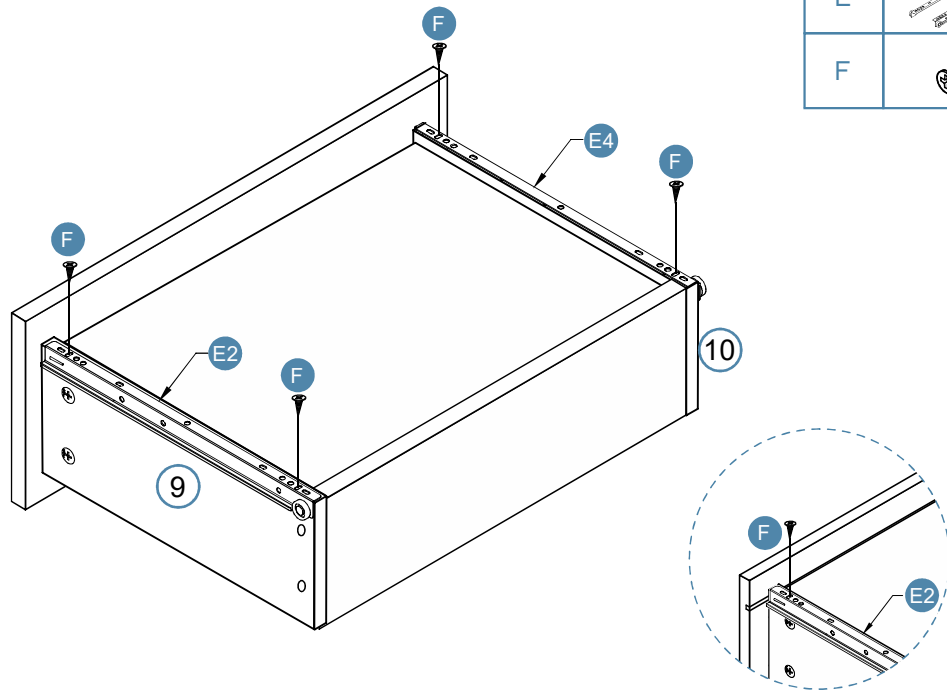


Zack

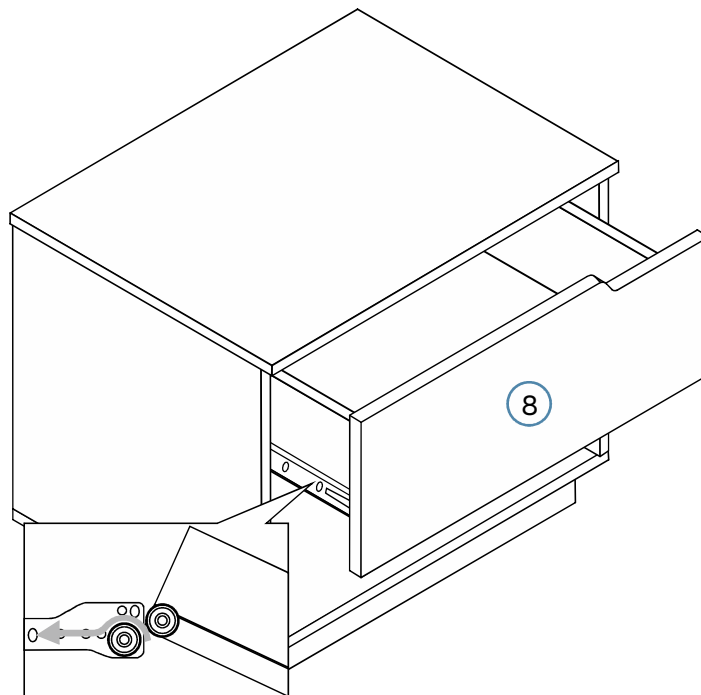
Bedside Table

13

Hardware Needed		
E		x1
F		x4



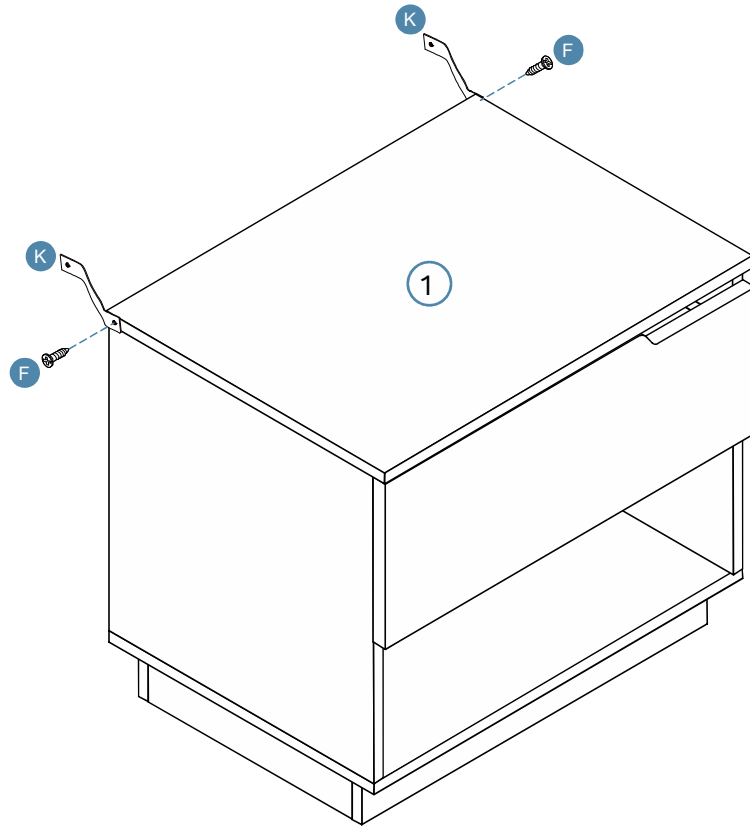
14





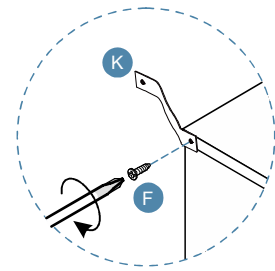
Zack

Bedside Table

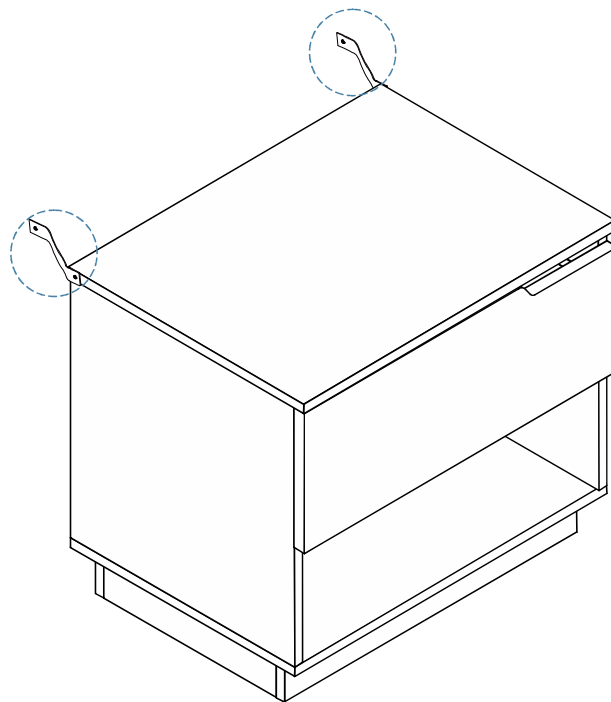
15

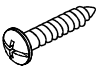



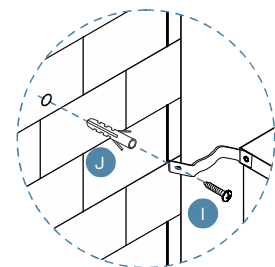
Hardware Needed		
F		x2
K		x2



16



Hardware Needed		
I		x2
J		x2



Zack

Bedside Table

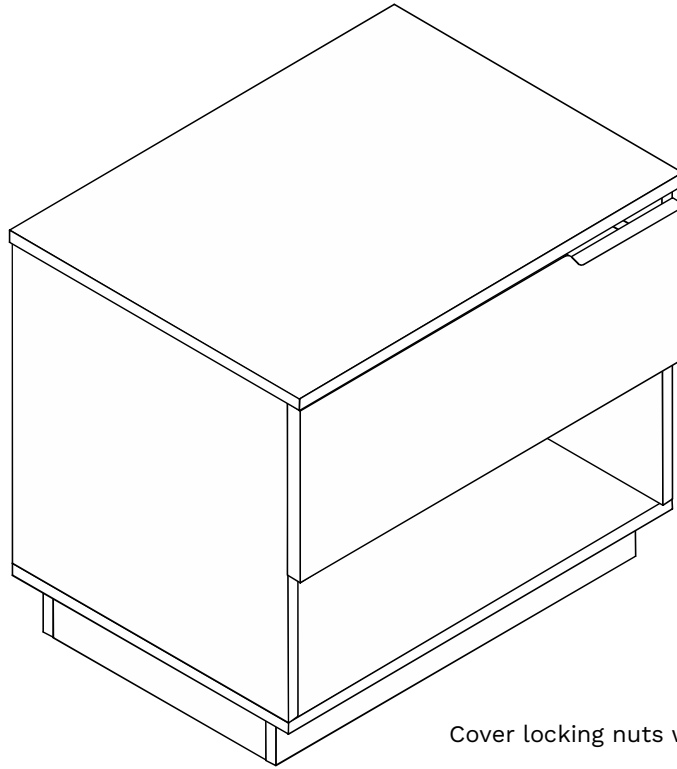
17

Hardware Needed

L



x20



Cover locking nuts with stickers (L)

You're done, enjoy!